

PIN BUS BAR SHOCKHAZARD SAFETY, 16QMM 1 PHASE, L= 1016MM CAN BE CUT, WITHOUT END CAPS



Figure similar

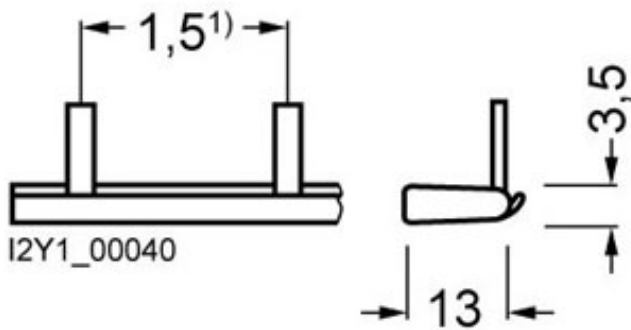
Model	
Product brand name	SETRON
Product designation	Pin busbar
Design of the product	16mm ² 1PH+HS 1016mm
Busbar design	laminated
General technical data	
Surface processing / tin-plated	No
Main circuit	
Operating current / rated value	80 A
Product details	
Product feature / flexible	Yes
Mechanical Design	
Width	15.5 mm
Length	1 016 mm
Thickness / of busbar	4.6 mm
Net weight	197.42 g

Declaration of Conformity



EG-Konf.

Further information

Information- and Downloadcenter (Catalogs, Brochures,...)<http://www.siemens.com/lowvoltage/catalogs>**Industry Mall (Online ordering system)**<https://mall.industry.siemens.com/mall/en/en/Catalog/product?mlfb=5ST3703>**Service&Support (Manuals, Certificates, Characteristics, FAQs,...)**<https://support.industry.siemens.com/cs/ww/en/ps/5ST3703>**Image database (product images, 2D dimension drawings, 3D models, device circuit diagrams, ...)**http://www.automation.siemens.com/bilddb/cax_en.aspx?mlfb=5ST3703**CAx-Online-Generator**<http://www.siemens.com/cax>**Tender specifications**<http://www.siemens.com/specifications>

¹⁾ Pin spacings in MW (Modular widths, 1 MW = 18 mm).